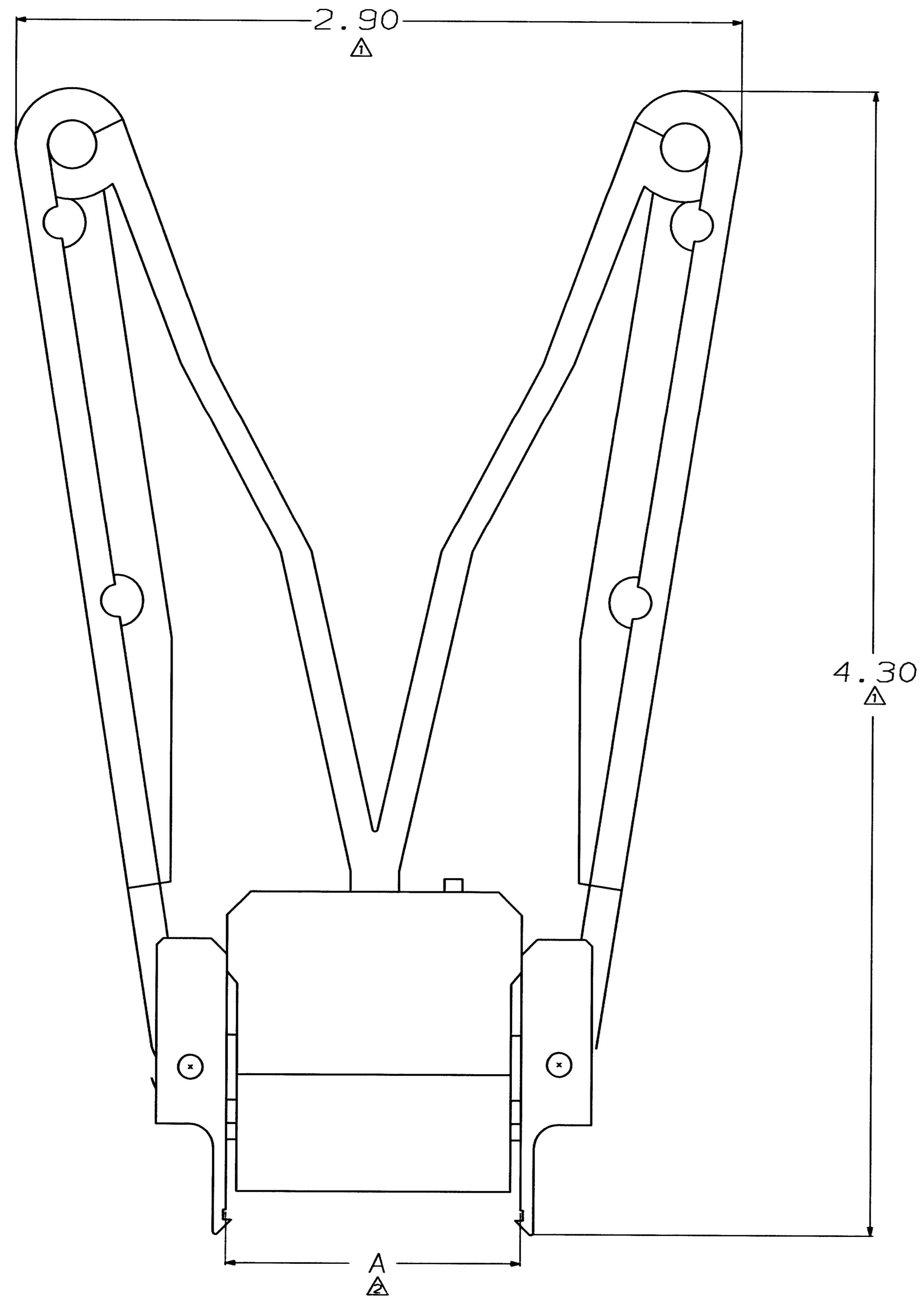


LOC		DIST		ZONE		LTR		REVISIONS		DATE	APPD
AG	55							A	REVISION PER AG-3260	7-26-93	WS



- ⚠ DIMENSION APPLIES ONLY WHEN HANDLE IS IN FREE STATE.
- ⚠ DIMENSION "A" APPLIES ONLY WHEN HANDLE IS SQUEEZED, WITH HOOKS PIVOTED AGAINST CAM.
- 3. FOR INSTRUCTION ON HOW TO USE THIS HAND TOOL REFER TO AMP INSTRUCTION SHEET IS-3289.

1.485 - 1.500	822253-4
1.525 - 1.540	822253-3
1.325 - 1.340	822253-2
1.125 - 1.140	822253-1
DIM A	PART NO.

DO NOT SCALE PRINT. UNLESS SPECIFIED DIMENSIONS IN MM [INCHES]		DR 4-29-92 6. HOWELL		PART NO	
TOLERANCES ON :	CHK 4-29-92 6. HOWELL	AMP AMP Incorporated Harrisburg, PA 17105-3608 9-10-91			
2 PLC DEC ± .02	APPD 4-29-92 6. HOWELL				
3 PLC DEC ± .005	APPD 4-29-92 B. FEELEY	PRODUCT ASSY HAND TOOL			
ANGLES ± -	PRODUCT SPEC	-			
MATERIAL	APPLICATION SPEC	SIZE	CAGE CODE	DRAWING NO	
-	-	D	00779	822253	
FINISH	WEIGHT	SCALE	SHEET		
-	-	2:1	1 OF 1		